

Sunbeam

PRO STEAM IRONS

SR4110
SR4210
SR4310

User Guide

This book covers the use and care of the following Sunbeam Irons:

SR4110 Pro Steam® Glide Iron

SR4210 Pro Steam® Teflon® Iron

SR4310 Pro Steam® Teflon® Pro Iron



Contents

| | |
|--|-----------|
| Sunbeam's Safety Precautions | 3 |
| Features of your Pro Steam Iron | 4 |
| Using your Pro Steam Iron | 6 |
| Care and Cleaning | 8 |
| Ironing Tips and Tricks | 9 |
| Ironing Chart | 10 |

Important instructions – retain for future use.

تأكد من تفهم احتياطات السلامة المذكورة أعلاه

請務必理解上述的安全預防措施。

Assurez-vous que les précautions ci-dessus relatives à la sécurité sont bien comprises

Versichern Sie sich, dass die obenstehenden Sicherheitsmaßnahmen Verstanden werden

Βεβαιώστε πως οι παραπάνω προφυλάξεις ασφαλείας γίνονται κατανοητές

Pastikan bahwa tindakan-tindakan keselamatan seperti di atas dimengerti anda

Accertatevi che le suddette norme di sicurezza siano comprese a dovere

上記の注意事項をよくお読みになり、安全を御確認ください

Уверете се дека погоре споменатите мерки на предпазливост се добро разбрани

Asegúrese de que las precauciones de seguridad precedentes sean bien comprendidas

کاری یکتید کہ احتیاط‌های بالا حتماً بروک بشوند

ჭიზ-მანიჯა, შიხვარეწიწიჲოთკარაშეოჲაქიწიწინ
მიწიწიჯიწინ

Yukarda belirtilen güvenlik önlemlerinin anlaşıldığından emin olunuz

Xin kiểm chắc rằng những biện pháp làm an toàn kể trên được hiểu rõ

Sunbeam's Safety Precautions

SAFETY PRECAUTIONS FOR YOUR IRON

- Do not leave a hot iron within reach of children. If they come into contact with a hot iron it could lead to serious burns.
- Iron only on an ironing board.
- An iron takes approximately 30 minutes to cool down. Allow the iron to cool completely before storing.
- Do not wind the cord around the soleplate while the iron is still hot.
- Do not leave the iron unattended while it is plugged into the power outlet.
- Always unplug the iron from the power outlet before filling or emptying the water tank.
- The iron must be used and rested on a stable surface.
- When placing the iron on its heel, ensure that the surface on which the stand is placed is stable.
- The iron is not to be used if it has been dropped, if there are any visible signs of damage or if it is leaking.

Sunbeam is very safety conscious when designing and manufacturing consumer products, but it is essential that the product user also exercise care when using an electrical appliance. Listed below are precautions which are essential for the safe use of an electrical appliance:

- Read carefully and save all the instructions provided with an appliance.
- Always turn the power off at the power outlet before you insert or remove a plug. Remove by grasping the plug - do not pull on the cord.
- Turn the power off and remove the plug when the appliance is not in use and before cleaning.
- Do not use your appliance with an extension cord unless this cord has been checked and tested by a qualified technician or service person.
- Always use your appliance from a power outlet of the voltage (A.C. only) marked on the appliance.
- This appliance is not intended for use by persons (including children) with reduced physical, sensory or mental capabilities, or lack of experience and knowledge, unless they have been given supervision or instruction concerning use of the appliance by a person responsible for their safety.
- Children should be supervised to ensure that they do no play with the appliance.
- The temperature of accessible surfaces may be high when the appliance is operating.
- Never leave an appliance unattended while in use.
- Do not use an appliance for any purpose other than its intended use.
- Do not place an appliance on or near a hot gas flame, electric element or on a heated oven.
- Do not place on top of any other appliance.
- Do not let the power cord of an appliance hang over the edge of a table or bench top or touch any hot surface.
- Do not operate any electrical appliance with a damaged cord or after the appliance has been damaged in any manner. If damage is suspected, return the appliance to the nearest Sunbeam Appointed Service Centre for examination, repair or adjustment.
- For additional protection, Sunbeam recommend the use of a residual current device (RCD) with a tripping current not exceeding 30mA in the electrical circuit supplying power to your appliances.
- Do not immerse the appliance in water or any other liquid unless recommended.
- Appliances are not intended to be operated by means of an external timer or separate remote control system.
- This appliance is intended to be used in household and similar applications such as: staff kitchen areas in shops, offices and other working environments; farm houses; by clients in hotels, motels and other residential type environments; bed and breakfast type environments.

If you have any concerns regarding the performance and use of your appliance, please visit www.sunbeam.com.au or contact the Sunbeam Consumer Service Line.

Ensure the above safety precautions are understood.

Features of your Sunbeam Pro Steam Iron

Powerful shot of steam

Pressing the shot of steam button instantly produces a powerful 120g/min shot of steam to remove stubborn wrinkles.

Vertical shot of steam

Pressing the shot of steam button with the iron in an upright position produces a vertical shot of steam, which is ideal for steaming curtains and suits, and removing creases from delicate fabrics.

Fine spray mist

Pressing the spray button provides a fine mist spray to dampen hard-to-iron fabrics.

Easy-fill water inlet

The water inlet cover opens fully to allow easy filling of the water tank, without bubbling or spilling.

Large water tank

Holds 280ml of water for continual high steam performance without having to refill the tank regularly.

Full length button groove

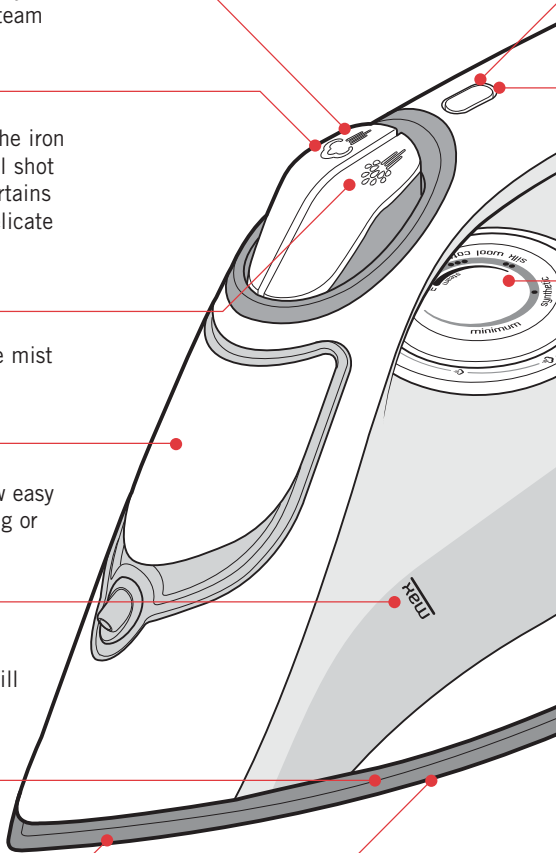
For ironing around buttons.

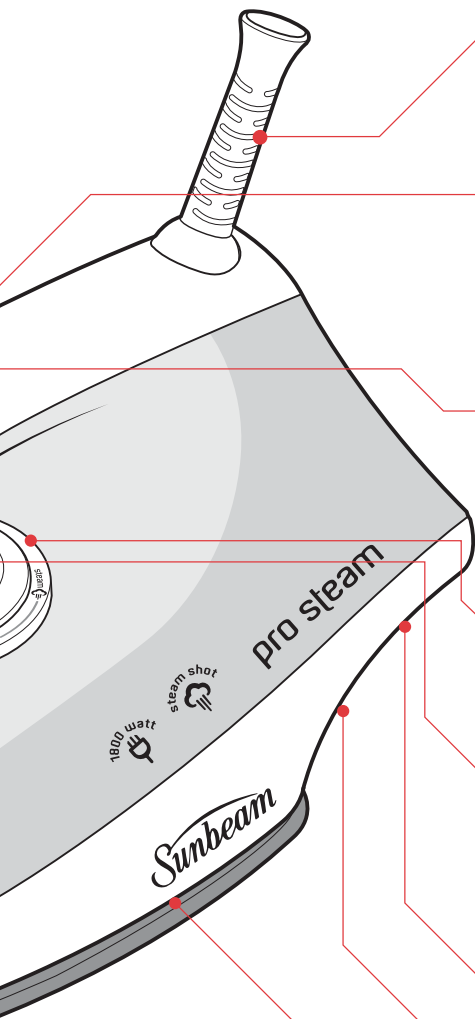
DuPont Teflon® 3 Coat Non-stick soleplate (SR4210, SR4310)

Glides easily across all types of fabric and prevents sticking.

Glide Polished Aluminium soleplate (SR4110)

Durable polished aluminium soleplate is hard-wearing and easy to clean.





Long cord with 360° cord outlet

The cord outlet is ideal for left or right hand use, and provides greater versatility and ease of movement when ironing. The flexible grommet protects the cord from fraying.

Safety auto-off (Model SR4310 only)

The iron automatically switches itself off if left in the ironing position (horizontal) for 30 seconds, or in the heel rest position (vertical) for 15 minutes. (For more information on the safety auto off feature see page 7).

Thermostat light

Illuminates to indicate that the iron is heating and goes out when it has reached the selected temperature. The thermostat light cycles on and off during ironing as the iron maintains the selected temperature.

Variable Constant Steam

The steam dial allows you to select the desired constant steam output for each garment. Alternatively, select the DRY setting to iron without steam.

Temperature dial

Allows you to select the desired temperature for each garment. The adjustable temperature dial also indicates the amount of steam recommended for use on each temperature setting.

Stable heel rest

Large heel rest keeps the iron stable on the ironing board.

Cord wrap facility

The built-in cord wrap facility allows you to wind the cord around the heel for neat and tidy storage of the cord when the iron is not in use.

2400 watts

For fast heat up, a higher pressure steam shot, a quicker heat recovery, and an even temperature.

Using your Sunbeam Pro Steam Iron

Before first use

Remove any adhesive stickers, plastic covers or cardboard sleeves from the soleplate. Ensure that all adhesive is removed by rubbing the soleplate with a cloth dampened with methylated spirits. Fill the water tank and empty the water. This will rinse out any foreign particles remaining in the water tank from the manufacturing process.

NOTE: When turned on for the first time, your new iron may give off vapours for up to 10 minutes. This is due to the initial heating of the materials used. It is safe, not detrimental to the performance of the iron, and will not reoccur.

Filling the iron with water

Before filling the iron with water ensure the power is turned off and the plug is removed from the power outlet. The iron can be filled with water while it is hot.

Place the iron on its heel and open the water inlet cover.

Slowly pour water into the water inlet until the maximum water level is reached. Do not exceed the maximum water level indicator. Push the water inlet cover firmly to close.

NOTE: The special soleplate design allows you to use tap water with your Pro Steam iron without affecting the steam performance. However in very hard water areas, Sunbeam recommends the use of distilled water, or water which has been demineralised.

Do not fill the iron with fabric conditioner, starches or any other solution as these will damage the steam mechanism. Do not use contaminated water.

Using your iron

1. Insert the plug into a 230/240 volt power outlet and turn the power on.
2. Turn the temperature dial to the desired setting by aligning the setting on the dial with the temperature indicator. The thermostat light (positioned on the top of the handle) will illuminate to indicate that the iron is heating to the selected temperature. When the thermostat light goes out the iron has reached the selected temperature and is ready to iron.

NOTE: When the temperature dial is changed from a high setting to a lower temperature setting during ironing, the thermostat light will go out immediately. This indicates that the iron is cooling to the selected temperature. To ensure that the iron has reached the selected temperature and is not too hot, wait until the thermostat light comes on again and then goes out before ironing.

Dry ironing

Follow steps 1 and 2 above.

3. Select DRY on the steam dial. This will cut off the steam flow if there is water in the tank.

Steam ironing

Follow steps 1 and 2 above.

NOTE: When steam ironing, ensure that the temperature dial is set to any temperature within the steam band and that the tank is at least $\frac{1}{4}$ full of water.

3. Turn the steam dial to the desired steam setting.

Using your Sunbeam Pro Steam Iron (continued)

Using the shot of steam

The shot of steam can be used whether dry or steam ironing when the temperature dial is set to any temperature above the two dot (••) setting.

1. Ensure the tank is at least $\frac{1}{4}$ full of water.
2. Select the desired temperature and wait until the thermostat light goes out.
3. Press the shot of steam button several times with the iron on the soleplate to prime the pump.

NOTE: If the tank has run dry, it may be necessary to re-prime the pump after filling the iron with water.

Using the spray mist

The spray mist can be used whether dry or steam ironing to pre-dampen hard to iron fabrics.

1. Ensure the tank is at least $\frac{1}{4}$ full of water.
2. Press the spray button during ironing to release a fine mist from the spray nozzle.

The safety auto-off feature

(Model SR4310 only)

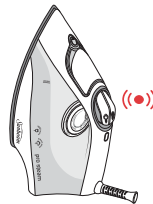
The safety auto-off mechanism automatically turns the iron off if you forget.

The iron will automatically shut off if left on the heel rest (vertical) for 15 minutes, or in the ironing position (horizontal) for 30 seconds, without being moved.

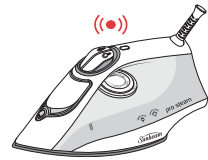
The thermostat light on the handle will flash and a warning beep will sound to let you know that you have left the iron unattended.

Power to the iron's heating element will be cut.

Once the iron is moved the power will reconnect. Allow the iron to heat until the thermostat light goes out, and continue ironing as normal.



15 minutes



30 seconds

Care and Cleaning

After each use

1. Turn the power off and remove the plug from the power outlet.
2. Allow the iron to cool before winding the cord around the built-in cord wrap.

Storage

Always store the iron on its heel rest.

NOTE: Do not store the iron with the soleplate facing down, or in the carton.

Cleaning

To clean the exterior of your iron, wipe over with a damp soft cloth and wipe dry.

Caution: Do not use harsh abrasives, chemical cleaners or solvents to clean the exterior of your iron as these will damage the surface.

To clean the steam holes

To remove build up from the steam holes which may affect steam performance, use a cotton wool tip moistened in methylated spirits.

Cleaning the Teflon® Select non-stick soleplate (SR4210 & SR4310)

The non-stick coating reduces sticking of fabrics and starches to the soleplate. Do not iron over sharp objects such as buttons, studs and zippers, as these will scratch the surface.

Wipe the soleplate with a damp soft cloth after each use. If polyester has burnt to the soleplate, iron a damp cotton cloth while hot.

Caution: Do not use scouring pads, abrasives or harsh cleaners to clean your Teflon® Select non-stick soleplate, as these may scratch and damage the surface.

Cleaning the Glide Polished Aluminium (SR4110)

Rub gently with a stainless steel soap pad moistened in warm water. Wipe dry.

Ironing Tips and Tricks

Tip # 27 - Iron shirts like a pro

Start with the collar, working from the outer edges into the middle. Iron the shoulder next, followed by the cuffs and sleeves. Place the collar at the narrow end of the board so that one front panel of the shirt is extended flat. Iron the front panel from shoulder to shirt tail. Rotate to iron the back of the shirt. Rotate and complete the remaining front panel.

Tip # 34 - Tips for T-shirts

Straighten seams on t-shirts before hanging out to dry. To avoid damage to printed graphics and logos turn the t-shirt inside out and iron the reverse side of the print. Never iron areas of your t-shirt where perspiration marks are visible as the heat of the iron will permanently fix the stain.

Tip # 54 - Hung out to dry

When washing is complete, remove shirts from the machine immediately, shake them out and hang them on coat hangers to air dry – this will keep wrinkles to a minimum.

Tip # 18 - Selecting the right temperature

If you are unsure of the correct setting for a particular garment, test a small area such as a seam or inside hem before ironing a visible area. Start with a low temperature and slowly increase the heat to find the best setting.

Tip # 33 - Don't be afraid to iron silk

Don't be afraid to iron silk. Although delicate in appearance, silk is the strongest and most resilient of all natural fibres. To achieve the best results, set to a low cotton setting and use regular shots of steam. Always use a pressing cloth to avoid shine marks.

Tip # 13 - Ironing the seam

Always press seams in the same direction they were made. When a garment is produced, the fibres will naturally settle in the direction they were initially pressed, so it's best not to iron against the grain.

Tip # 26 - Sort types of fabric

Sort articles to be ironed according to the type of fabric. This will reduce the need to adjust the temperature constantly. Start with articles requiring lower temperatures and work your way through to items requiring higher settings.

Tip # 2 - Summer frocks and frills

Steam is the key when ironing delicate summer fabrics such as muslin, cotton and linen. Don't press down with the iron, simply hover above the garment and steam it using a vertical shot of steam. Ruffling, netting, tulle or intricate hand detailing is also best ironed using this method.

Tip # 5 - Pressing your winter woollies

Steam is crucial when pressing your winter woollies. Woollen garments can be hung and steamed using the vertical shot of steam feature. After steaming, brush the garment with your hand to plump up woollen fibres. If ironing the garment flat it is best to use a pressing cloth. Don't be afraid to apply pressure – steam and hold.

Tip # 42 - Table settings to impress

To avoid unwanted creases always iron your table cloth after taking it out of the cupboard. A dinner party is a special occasion, so treat the table cloth as you would your own outfit. For best results, lay towels across your table and iron the table cloth over the towels. This will save you time and ensure a beautifully presented table setting.

Ironing Chart

| Fabric | Temp setting Ironing | Ironing recommendation |
|---------------|-----------------------|---|
| Acrylic | MINIMUM Min to • | Dry iron on reverse side of fabric |
| Acetate | MINIMUM Min to • | Dry iron on reverse side of fabric while still damp |
| Nylon | MINIMUM Min to • | Iron on reverse side of fabric |
| Polyester | SYNTHETIC • | Iron on reverse side of fabric |
| Rayon | SYNTHETIC • | Iron on reverse side of fabric |
| Viscose | SYNTHETIC • | Mainly dry iron. Steam can be used under manufacturer's instructions |
| Silk | SILK •• | Iron on reverse side of fabric. Use an ironing cloth to prevent shine marks and use regular shots of steam |
| Cotton Blends | WOOL •• | Check label and follow manufacturer's instructions. Use setting for the fibre requiring the lowest setting |
| Wool | WOOL •• | Steam iron on reverse side of fabric or use an ironing cloth. Brush gently to raise the fibres |
| Wool Blends | WOOL •• | Steam iron on reverse side of fabric or use an ironing cloth. Brush gently to raise the fibres |
| Corduroy | COTTON ••• | Steam iron on reverse side of fabric or use an ironing cloth. Brush gently to raise the fibres |
| Cotton | COTTON ••• | Steam iron while still damp or use spray to dampen. Use medium to high steam |
| Linen | LINEN ••• to Max | Iron on reverse side of fabric or use an ironing cloth to prevent shine marks, especially with dark colours. Iron while still damp or use spray to dampen. Use medium to high steam |
| Denim | MAXIMUM ••• to Max | Iron while still damp or use spray to dampen. Use maximum steam |

2
Year
Replacement
Guarantee

This Sunbeam product is covered by a 2 year replacement or repair warranty, which is in addition to your rights under the Australian Consumer Law (if your product was purchased in Australia) or New Zealand Consumer Guarantees Act (if your product was purchased in New Zealand).

Upon receipt of your claim, Sunbeam will seek to resolve your difficulties or, if the product is defective, advise you on how to obtain a replacement or refund.

To assist us in managing warranty claims, we recommend you register your product as soon as practicable after purchase by creating a MySunbeam account on our website and uploading a copy of your original receipt.

In order to make a claim under our warranty, you must have the original proof of purchase documentation for the product and present it when requested (if not already uploaded to our website).

Should your product develop any defect within 2 years of purchase because of faulty materials or workmanship, we will replace or repair it, at our discretion, free of charge. A product presented for repair may be replaced by a refurbished product of the same type rather than being repaired. Refurbished parts may be used to repair the product.

Our replacement or repair warranty only applies where a defect arises as a result of faulty material or workmanship during the warranty period. Your warranty does not cover misuse or negligent handling (including damage caused by failing to use the product in accordance with this instruction booklet), accidental damage, or normal wear and tear.

Your warranty does not:

- cover freight or any other costs incurred in making a claim, consumable items, accessories that by their nature and limited lifespan require periodic renewal (such as filters and seals) or any consequential loss or damage; or
- cover damage caused by:
 - power surges, power dips, voltage supply problems, or use of the product on incorrect voltage;

- servicing or modification of the product other than by Sunbeam or an authorised Sunbeam service centre;
 - use of the product with other accessories, attachments, product supplies, parts or devices that do not conform to Sunbeam specifications; or
 - exposure of the product to abnormally corrosive conditions; or
- extend beyond 3 months if the product is used in commercial, industrial, educational or rental applications.

The benefits given to you by our warranty are in addition to other rights and remedies under law in relation to the product.

In Australia our goods come with guarantees that cannot be excluded under the Australian Consumer Law. You are entitled to a replacement or refund for a major failure and for compensation for any other foreseeable loss or damage. You are also entitled to have the goods repaired or replaced if the goods fail to be of acceptable quality and the failure does not amount to a major failure.

Our goods also come with guarantees that cannot be excluded under the New Zealand Consumer Guarantees Act.

If your warranty claim is not accepted, we will inform you and if requested to do so by you, repair the product provided you pay the usual charges for such repair. You will also be responsible for all freight and other costs.

Should your product require repair or service after the warranty period, contact your nearest Sunbeam service centre. For a complete list of Sunbeam's service centres, visit our website or call our customer service line for advice on 1300 881 861 in Australia, or 0800 786 232 in New Zealand.

Should you experience any difficulties with your product during the warranty period, please contact our customer service line for advice on 1300 881 861 in Australia, or 0800 786 232 in New Zealand.

Australia

www.sunbeam.com.au
1300 881 861
Units 5 & 6,
13 Lord Street,
Botany NSW 2019
Australia

New Zealand

www.sunbeam.co.nz
0800 786 232
Level 6, Building 5,
Central Park,
660-670 Great South Road,
Greenlane, Auckland
New Zealand

Need help with your appliance?

Contact our customer service team or visit our website for information and tips on getting the most from your appliance.

Australia | **visit** www.sunbeam.com.au
phone 1300 881 861
mail Units 5 & 6, 13 Lord Street,
Botany NSW 2019 Australia.

New Zealand | **visit** www.sunbeam.co.nz
phone 0800 786 232
mail Level 6, Building 5,
Central Park,
660-670 Great South Road,
Greenlane, Auckland.

Sunbeam Corporation Limited | ABN 45 000 006 771

Sunbeam Corporation is a division of GUD Holdings Limited.

Sunbeam is a registered trademark.

'Pro Steam' is a registered trademark of Sunbeam Corporation.

'Teflon' is a registered trademark of DuPont.

Made in China to Sunbeam's specification.

Due to minor changes in design or otherwise,

the product you buy may differ slightly from the one shown here.

Approved by the appropriate electrical regulatory authorities.

©Copyright Sunbeam 2015.