

Sunbeam

Sunbeam Tower Fan with Night Mode

Instruction Booklet

FA7250 90cm Remote Controlled Tower Fan

Please read these instructions carefully
and retain for future reference.



Contents

Sunbeam's Safety Precautions	1
Safety Precautions For Your Tower Fan	2
Locating Your Tower Fan	3
Features Of Your Sunbeam Tower Fan	4
Using Your Tower Fan	8
Troubleshooting Guide	12
Care and Cleaning	12

Important instructions – retain for future use.

تأكد من تفهم احتياطات السلامة المذكورة اعلاه

請務必理解上述的安全預防措施。

Assurez-vous que les précautions ci-dessus relatives à la sécurité sont bien comprises

Versichern Sie sich, dass die obenstehenden Sicherheitsmaßnahmen Verstanden werden

Βεβαιώνετε πως οι παραπάνω προφυλάξεις ασφαλείας γίνονται κατανοητές

Pastikan bahwa tindakan-tindakan keselamatan seperti di atas dimengerti anda

Accertatevi che le suddette norme di sicurezza siano comprese a dovere

上記の注意事項をよくお読みになり、安全を御確認ください

Уверете се дека погоре споменатите мерки на претпазливост се добро разбрани

Asegúrese de que las precauciones de seguridad precedentes sean bien comprendidas

کاری بکنید کہ احتیاطهای بالا حتماً درک بشوند

ต้องแน่ใจว่า ข้อควรระวังเรื่องความปลอดภัยข้างต้น เป็นที่เข้าใจกันดี

Yukarda belirtilen güvenlik önlemlerinin anlaşıldığından emin olunuz

Xin kiểm chắc rằng những biện pháp làm an toàn kể trên được hiểu rõ

Sunbeam's Safety Precautions

Sunbeam is very safety conscious when designing and manufacturing consumer products, but it is essential that the product user also exercise care when using an electrical appliance. Listed below are important precautions for the safe use of an electrical appliance.

- Read carefully and save all the instructions provided with an appliance.
- Always turn the power off at the power outlet before you insert or remove a plug. Remove by grasping the plug - do not pull on the cord.
- Turn the power off and remove the plug when the appliance is not in use and before cleaning.
- Do not use your appliance with an extension cord unless this cord has been checked and tested by a qualified technician or service person.
- Always use your appliance from a power outlet of the voltage (A.C. only) marked on the appliance.
- This appliance is not intended for use by persons (including children) with reduced physical, sensory or mental capabilities, or lack of experience and knowledge, unless they have been given supervision or instruction concerning use of the appliance by a person responsible for their safety.
- Children should be supervised to ensure that they do not play with the appliance.
- The temperature of accessible surfaces may be high when the appliance is operating.
- Never leave an appliance unattended while in use.
- Do not use an appliance for any purpose other than its intended use.
- Do not place an appliance on or near a hot gas flame, electric element or on a heated oven.
- Do not place on top of any other appliance.
- Do not let the power cord of an appliance hang over the edge of a table or bench top or touch any hot surface.
- Do not operate any electrical appliance with a damaged cord or after the appliance has been damaged in any manner. If damage is suspected, return the appliance to the nearest Sunbeam Appointed Service Centre for examination, repair or adjustment.
- For additional protection, Sunbeam recommend the use of a residual current device (RCD) with a tripping current not exceeding 30mA in the electrical circuit supplying power to your appliances.
- Do not immerse the appliance in water or any other liquid unless recommended.
- Appliances are not intended to be operated by means of an external timer or separate remote control system.
- This appliance is intended to be used in household and similar applications such as: staff kitchen areas in shops, offices and other working environments; farm houses; by clients in hotels, motels and other residential type environments; bed and breakfast type environments.

If you have any concerns regarding the performance and use of your appliance, please visit www.sunbeam.com.au or contact the Sunbeam Consumer Service Line. Ensure the above safety precautions are understood.

Safety Precautions For Your Tower Fan

- Do not use outdoors.
- Do not run the cord of the fan under carpeting. Do not cover the cord with throw rugs, runners or other floor coverings. Arrange the cord away from traffic areas so that it will not be tripped over.
- Do not use this fan in the immediate surrounds of a bath, shower, laundry area or swimming pool.
- Be sure the fan is placed on a dry, even surface. Do not use on any soft surfaces, such as beds, where opening may become blocked.
- Keep your fan away from heat sources, corrosive gases and avoid direct sunlight.
- This fan is only to be used with the base fitted and in good condition.
- Disconnect the power plug before dismantling, assembling or before cleaning.
- Always unplug the fan when not in use for any long period of time.
- The fan must not be used if the guards are damaged in any way.
- Do not insert or allow foreign objects to enter any ventilation or exhaust openings as this may cause electric shock or fire, or damage to the fan.
- Never insert fingers or any other objects through the guards whenever the power plug is connected, especially while running.
- Avoid touching moving parts of the fan.
- Do not attempt to move your fan whilst it is operating. If your fan needs to be moved, please ensure that it is turned off and you use the carry handle on top of the tower.
- When disposing of the fan at the end of its useful life, follow local regulations.
- Do not coil the power cord too tightly around the motor housing, as this may damage the cord.

Locating Your Tower Fan

1. Always locate your fan on a level surface.
2. Your tower fan should be located in a dry, cool, well ventilated location. Keep your fan away from heat sources, corrosive gases and avoid direct sunlight.
3. Do not attempt to move your tower fan whilst it is operating. If your fan needs to be moved, please ensure that it is turned off and you use the carry handle at the rear of the fan.

Features of your Sunbeam Tower Fan

Remote control storage

When not in use, store your remote control in the handy storage compartment on the rear of the fan body.

Carry handle

Convenient carry handle allows you to easily carry your fan from room to room.

Power button

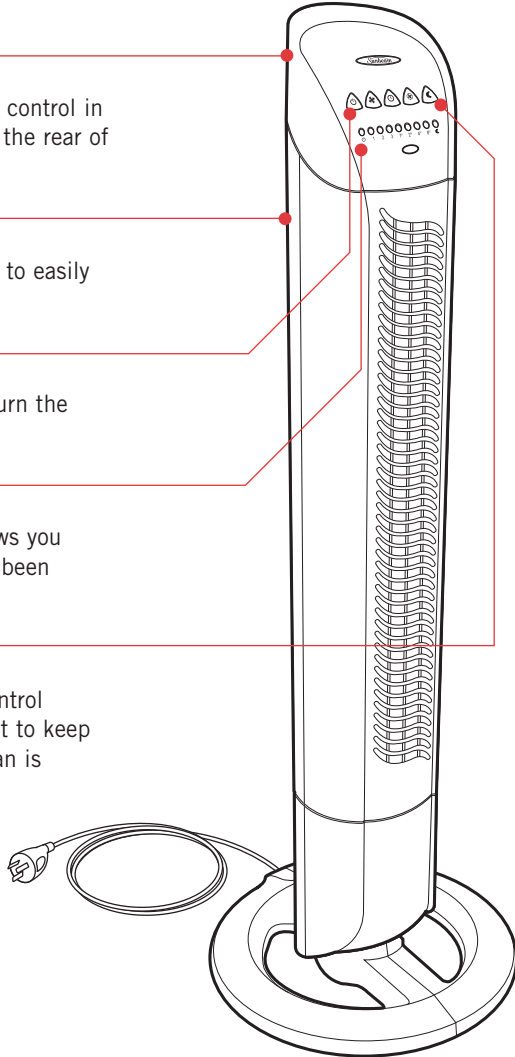
Simply press the power button to turn the unit on.

Control panel

The easy to read control panel allows you to quickly see what functions have been selected on your tower fan.

Night mode

Turns off all bright lights on the control panel, leaving a dim red power light to keep the room dark at night whilst the fan is operating.

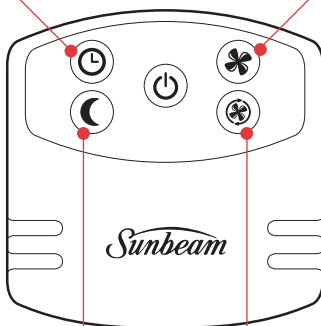


Remote control

Adjust the fan setting, auto off, oscillation or activate night mode from anywhere in the room using the full function remote control.

Auto Off button

The auto off timer allows you to set your tower fan to turn off after either 1, 2, 4 or 8 hours.



Fan speed button

Choose from 3 speed settings, low medium or high.

Night mode

Turns off all bright lights on the control panel, leaving a dim red power light while the fan is operating. This keeps the room dark when being used at night, ideal for when sleeping.

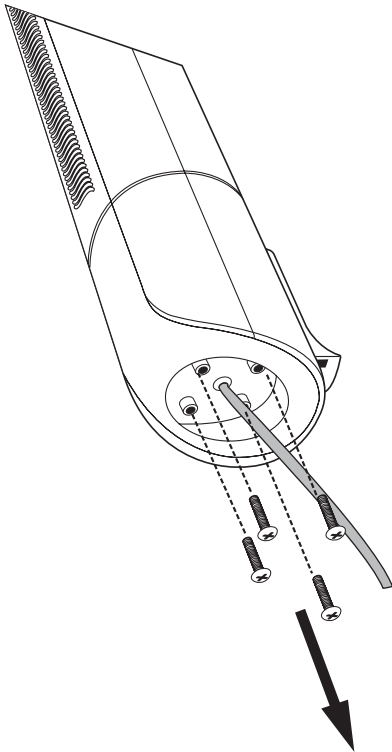
Oscillation

Your tower fan oscillates 70°, distributing cool air throughout the room.

Assembling Your Tower Fan

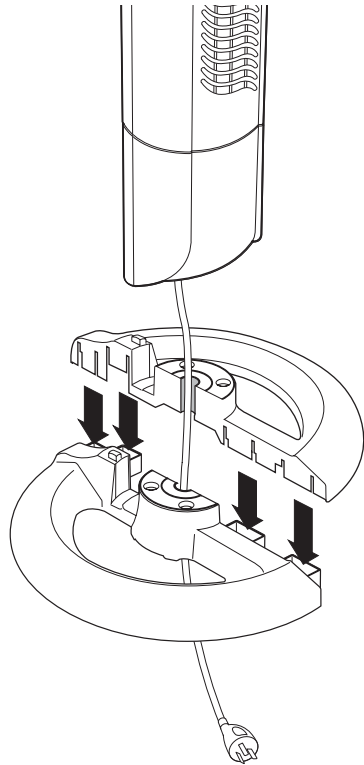
Remove the screws from beneath the tower

1. Using a phillips head screwdriver, remove the 4 screws from underneath the tower.
2. Put the screws aside. You will need them to secure the base.



Join the two halves of the base together

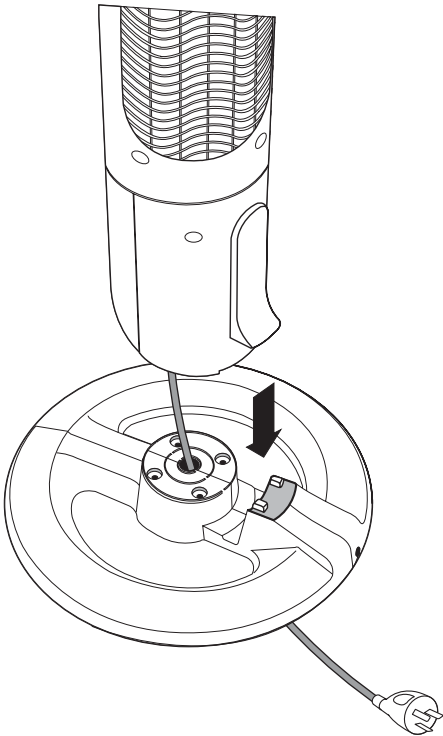
1. Feed the cord between the two halves of the base.
2. Clip the two halves of the base together, ensuring the cord remains within the channel formed when the two halves come together.



Assembling Your Tower Fan continued

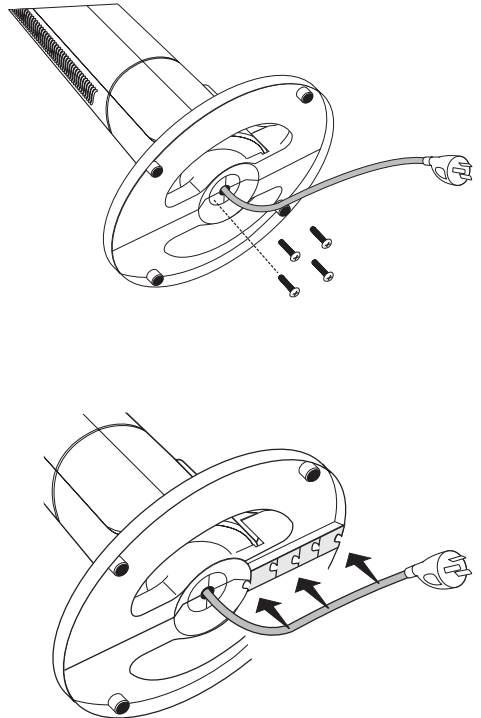
Lower the tower onto the base

1. Align the tower and the base as shown.
2. Push the tower down onto the base until it is firmly held into position.





Screw the tower to the base

1. Use the 4 screws you put aside earlier to secure the tower to the base.
2. Clip the power cord into the semi circular slot at the edge of the base. Ensure that the cord fits neatly into the channel.
3. Stand the fan upright. It is now ready for use.




Using Your Tower Fan

Switching the fan on

1. Place the fan on a flat level surface.
2. Insert the plug into a 230/240V power outlet and turn the power on.
3. Press the power button .
4. Press the fan speed button  to select low, medium or high depending on your preference.


Switching the fan off

- To switch the fan off, simply press the power button .
- While the fan remains plugged in to the power socket, the fan will remember your last fan speed, oscillation and mode setting for the next time you switch the fan on again.
- If you will not be using the fan for a length of time, it is advisable to turn the power off at the wall socket and unplug the power cord.

Selecting a fan speed setting

Your Sunbeam tower fan has 3 speed settings as follows:


- low speed “1” light illuminates
- medium speed “2” light illuminates
- high speed “3” light illuminates


To select a fan speed, simply press the fan speed button  on the tower or the remote. Each press of the button will increase the fan speed and then return back to the lowest speed again.

Using Your Tower Fan continued

Using the oscillation function


The 70 degree oscillation function can be used on any setting.

1. Turn the unit on and select any fan speed.
2. Press the  button on the tower or the remote. The fan will begin to oscillate from side to side.

To stop the fan from oscillating, simply press the  button once again.

Using the auto off timer

The auto off timer automatically switches the fan off after a preset number of hours.

To activate this feature, simply press the auto off button  on the tower or on the remote control unit.

1. Press the auto off button once to switch the fan off after 1 hour. The light on the tower corresponding to the 1^{hr} position will illuminate.
2. Press the auto off button again to have the fan switch after 2 hours. The light on the tower corresponding to the 2^{hr} position will illuminate.
3. Similarly, pressing the auto off button a 3rd or 4th time will set the fan to switch after 4 or 8 hours respectively. The corresponding light on the tower 4^{hr} or 8^{hr} will illuminate accordingly.

To cancel the setting, keep pressing the auto off button until it cycles past 8 hours and returns to its normal setting. The auto off timer will be deactivated, the timing light will be off, and the fan will remain on until it is switched off manually.

Using Your Tower Fan continued

Night mode

The night mode function can be used on any setting.

When activated, all bright lights on the fan control panel turn off, leaving a dim red power light which keeps the room dark.

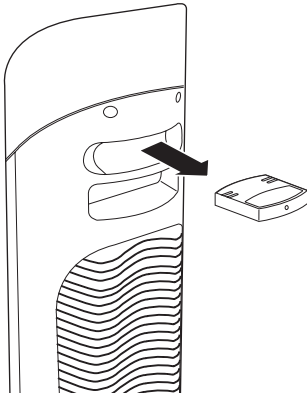
To use Sleep mode:

1. Choose a fan speed.
2. Press the night mode button (☾) on the tower or on the remote control unit.
3. All green lights will turn off on the fan and a dim red power light will display.
4. To cancel the setting, press the night mode button (☾) again. This will return the fan to day mode and the lights on the control panel will illuminate.

Using Your Tower Fan continued

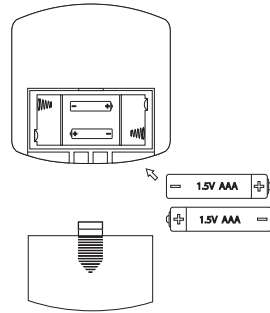
Using the remote control

1. Remove the remote control from its compartment at the rear of the tower as shown.
2. Point the remote towards the control panel on the front of the tower to operate.



Changing the batteries

1. Slide the rear cover off the remote control unit.
2. Replace the spent batteries with 2 fresh AAA batteries as shown.
3. Replace the rear cover.



Troubleshooting

Problem	Possible Cause	What To Do
Tower fan does not turn on	Air cannot enter the fan through the intake grill.	Remove any obstructions from around the fan.
	Fan is not receiving power.	Ensure the electrical outlet or circuit breaker is working.
Remote control does not work	Fan isn't receiving the signal from the remote control.	Ensure the remote control is pointed towards the front of the fan.
	Check that the batteries are not worn.	Replace if necessary, see page 11.
Control panel lights do not work	Check the fan is not in Night mode.	Press the Night mode button, see page 10.

Care and Cleaning

Ensure that your fan is switched off and disconnected from the power outlet before cleaning.

- Carefully wipe your fan using a clean cloth. Do not use abrasive cleaners or brushes to clean the appliance as these may scratch the surface.
- Take care that excessive dust does not build up in the air-intake and air-outlet grill, and clean it occasionally using a dry brush or vacuum cleaner.
- Store the fan in a cool dry place when not in use, in its original carton if possible.

2 Year Warranty

This Sunbeam product is covered by a 2 year replacement or repair warranty, which is in addition to your rights under the Australian Consumer Law (if your product was purchased in Australia) or New Zealand Consumer Guarantees Act (if your product was purchased in New Zealand).

Should you experience any difficulties with your product during the warranty period, please contact our customer service line for advice on 1300 881 861 in Australia, or 0800 786 232 in New Zealand.

Alternatively, you can send a written claim to Sunbeam to:

Australia

Units 5 & 6, 13 Lord Street
Botany NSW 2019 Australia

New Zealand

Level 6, Building 5, Central Park,
660-670 Great South Road,
Greenlane, Auckland

Upon receipt of your claim, Sunbeam will seek to resolve your difficulties or, if the product is defective, advise you on how to obtain a replacement or refund.

To assist us in managing warranty claims, we recommend you register your product as soon as practicable after purchase by creating a MySunbeam account on our website and send a copy of your original receipt to Sunbeam.

In order to make a claim under our warranty, you must have the original proof of purchase documentation for the product and present it when requested.

Should your product develop any defect within 2 years of purchase because of faulty materials or workmanship, we will replace or repair it, at our discretion, free of charge. A product presented for repair may be replaced by a refurbished product of the same type rather than being repaired. Refurbished parts may be used to repair the product.

Our replacement or repair warranty only applies where a defect arises as a result of faulty material or workmanship during the warranty period. Your warranty does not cover misuse or negligent handling (including damage caused by failing to use the product in accordance with this instruction booklet), accidental damage, or normal wear and tear.

Your warranty does not:

- cover freight or any other costs incurred in making a claim, consumable items, accessories that by their nature and limited lifespan require periodic renewal (such as filters and seals) or any consequential loss or damage; or
- cover damage caused by:
 - power surges, power dips, voltage supply problems, or use of the product on incorrect voltage;
 - servicing or modification of the product other than by Sunbeam or an authorised Sunbeam service centre;
 - use of the product with other accessories, attachments, product supplies, parts or devices that do not conform to Sunbeam specifications; or
 - exposure of the product to abnormally corrosive conditions; or
- extend beyond 3 months if the product is used in commercial, industrial, educational or rental applications.

The benefits given to you by our warranty are in addition to other rights and remedies under law in relation to the product.

In Australia our goods come with guarantees that cannot be excluded under the Australian Consumer Law. You are entitled to a replacement or refund for a major failure and for compensation for any other foreseeable loss or damage. You are also entitled to have the goods repaired or replaced if the goods fail to be of acceptable quality and the failure does not amount to a major failure.

Our goods also come with guarantees that cannot be excluded under the New Zealand Consumer Guarantees Act.

If your warranty claim is not accepted, we will inform you and if requested to do so by you, repair the product provided you pay the usual charges for such repair. You will also be responsible for all freight and other costs.

Should your product require repair or service after the warranty period, contact your nearest Sunbeam service centre. For a complete list of Sunbeam's service centres, visit our website or call our customer service line for advice on 1300 881 861 in Australia, or 0800 786 232 in New Zealand.

Need help with your appliance?

Contact our customer service team or visit our website for information and tips on getting the most from your appliance.

In Australia

Visit www.sunbeam.com.au

Or call 1300 881 861

In New Zealand

Visit www.sunbeam.co.nz

Or call 0800 786 232

 is a registered trademark.

Made in China.

Due to minor changes in design or otherwise, the product may differ from the one shown in this leaflet.

© Copyright. Sunbeam Corporation Limited 2014.

ABN 45 000 006 771

Units 5 & 6, 13 Lord Street

Botany NSW 2019 Australia

Level 6, Building 5, Central Park

660-670 Great South Road

Greenlane, Auckland

New Zealand

Sunbeam Corporation is a division of GUD Holdings Ltd.